



20ft OFFSHORE ACID TANK

Practical Solutions, Perfectly Contained

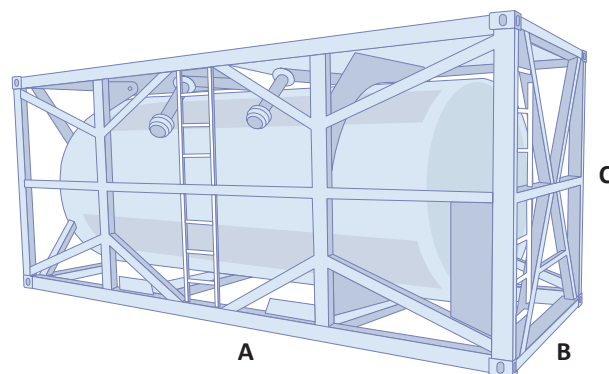


HOOVER FERGUSON



20 ft OFFSHORE ACID TANK

- Designed, manufactured and fully certified to DNV 2.7-1/EN 12079 standards
- CSC approved for international shipping
- T14 UN portable tank approved IMDG, ADR, RID
- 17,000 litre capacity
- 4 bar working pressure
- Carbon steel vessel, Butyl/LLDPE lined
- Top inlet/outlet connection – 4" NPT female FIG 206 connection
- Airline valve – 2" reduced to 1" universal claw coupling
- Collapsible handrails & D-rings for safety harness attachment
- Rated for use to -40°C



DIMENSIONS
A 6058 x B 2438 x C 2591

TARE
6300 kg

PAYLOAD
18700 kg

MGW
2500 kg



HOOVER FERGUSON

www.hooverferguson.com | info@hooverferguson.com

